

PCC Card Installation

> Before you begin

- Remove computer cover
- Have PCC card (023415) & software chips ready:

Standard (set) 025085

or

With WPCS (set) 025090

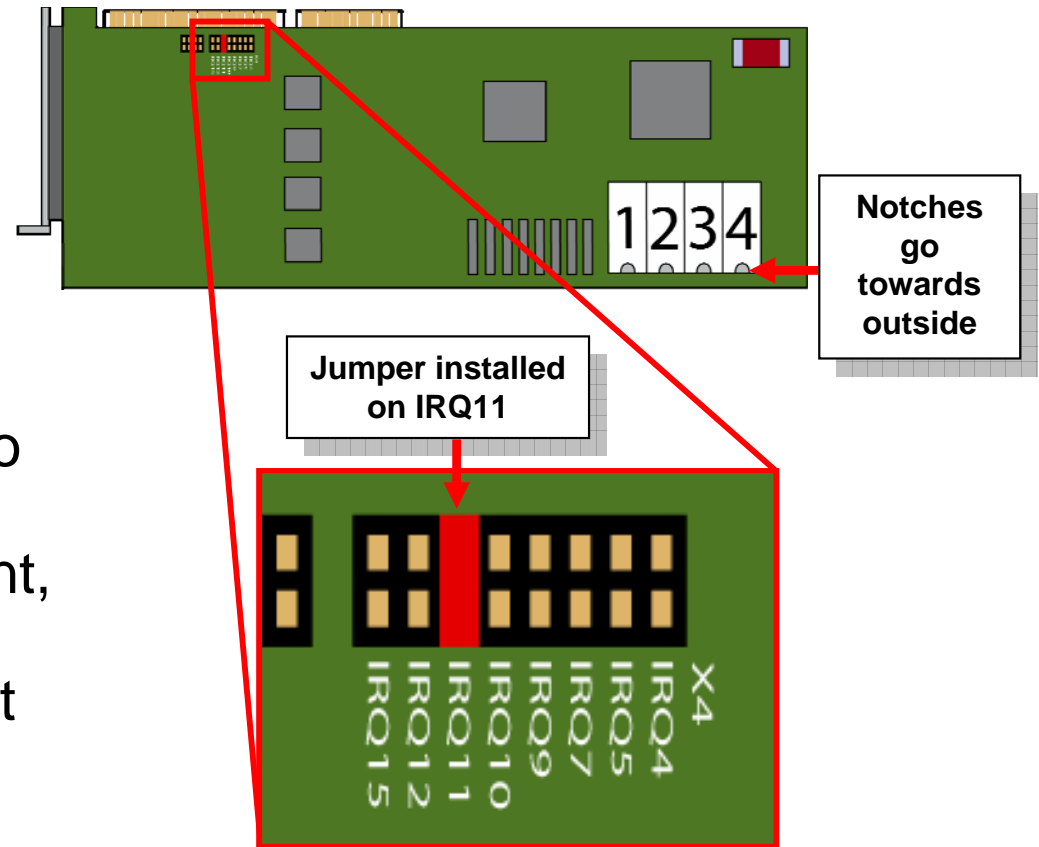


Warning: Electrostatic sensitive devices!

Installation

> Prepare PCC card

- Install software chips, notice the order and orientation.
- If installing on a new computer, move jumper to IRQ 11 (Default). If installing as a replacement, set to the same IRQ the original PCC card was set to.

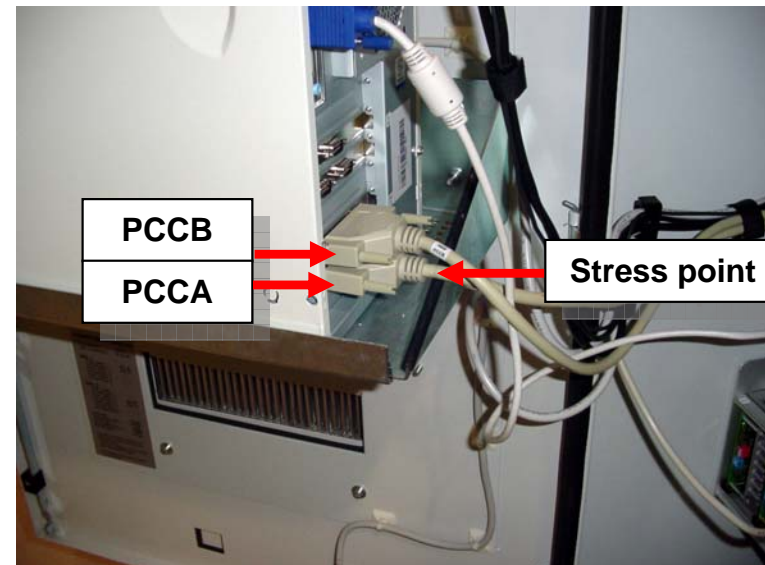


Installing software chips the wrong way could damage them.

Installation

> Mount

- Locate available ISA slot on computer.
- Insert PCC card, preferably into upper slot.
- Connector labeled PCCA goes to the PCC card, and connector labeled PCCB goes to the expansion slot above it.
- Put computer cover back on.

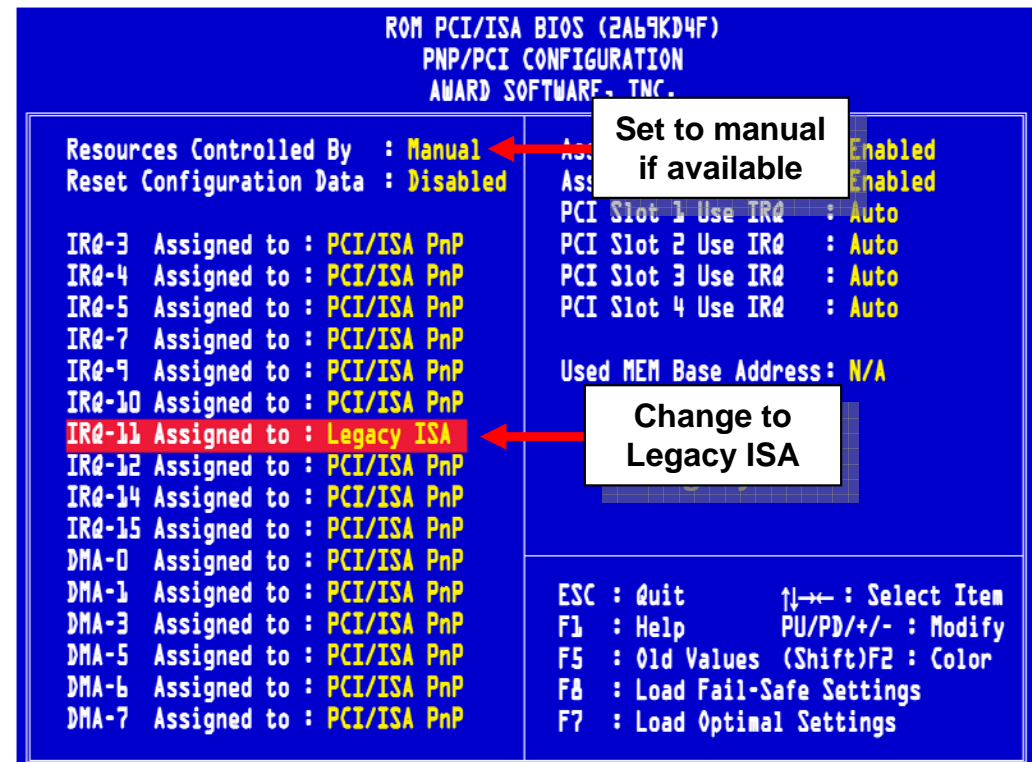


***If installed on bottom slot,
connector will be put under
excessive stress.***

Installation

› Setup BIOS

- Turn on computer and immediately press and hold the delete key.
- Go into “PnP/PCI Config”. make sure “Resources Controlled by:” is set to “Manual”.
- Scroll down and set IRQ 11 to ISA by using the page up or page down key.
- Save changes and reboot.

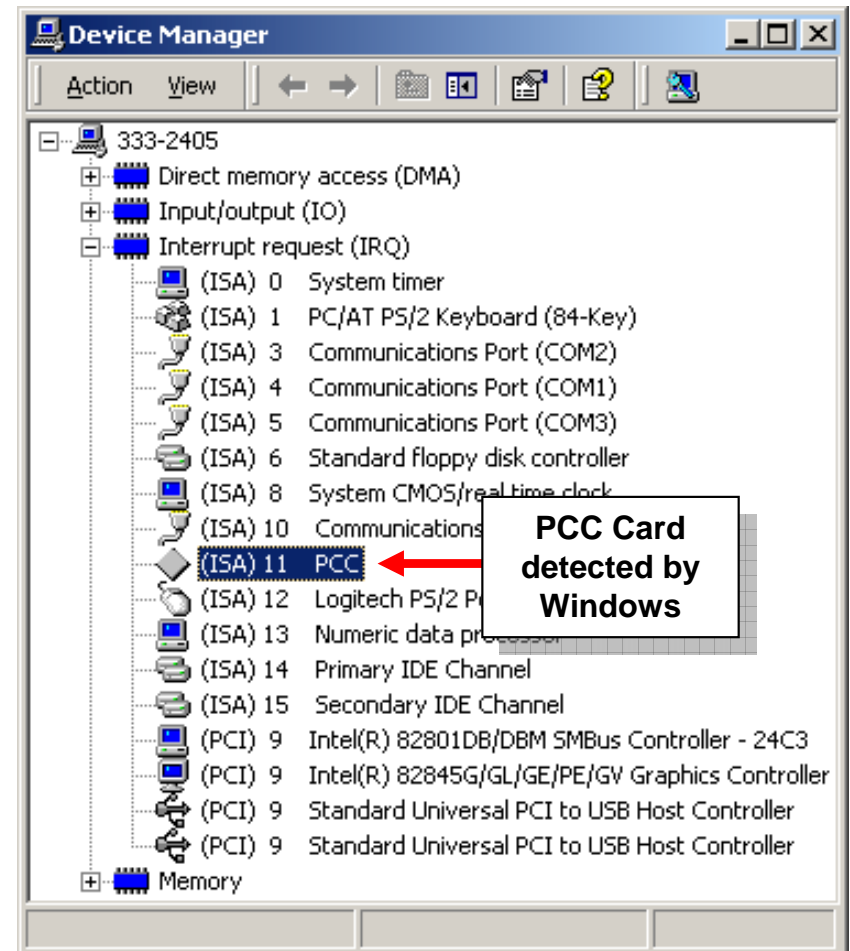


Actual steps and screens may vary from computer to computer.

Installation

› For Windows 2000, check operation

- Once windows loads, go to “Start” , then “Run” and type “devmgmt.msc”, this will bring up device manager.
- Go to “View,” and select “View devices” by connection.
- Click on the “+” next to Interrupt request.
- Locate the PCC card, in this case it is shown using IRQ 11.
- At this point, proceed installing Topwin.



PCC Card Installation

› For Windows NT, check operation

- Once windows loads, go to “Start” , then “Run” and type “winmsd”, this will bring up NT Diagnostics.
- Go to the “Resources” tab.
- Locate the PCC card, in this case it is shown using IRQ 11.
- At this point, proceed installing Topwin.

